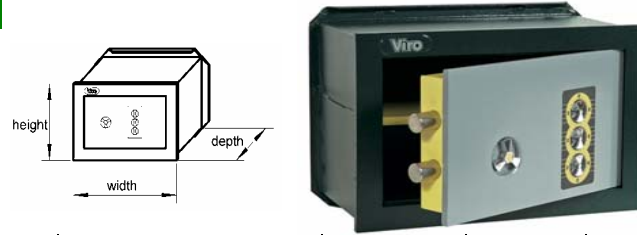


PRIVACY – MECHANICAL COMBINATION LOCK SAFES



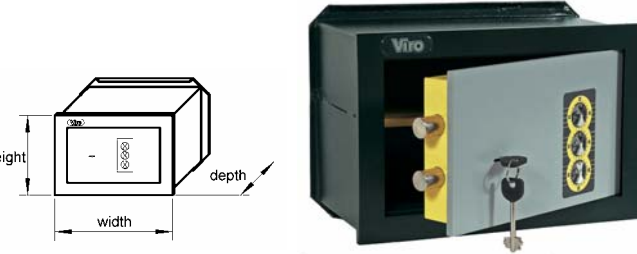
HORIZONTAL WALL VERSIONS

- **Steel lock, operated by the knob and by 3 nickel-plated mechanical combination locks, each one with 20 positions.** The code can only be changed when the door is open.



ITEM No.	External Dimensions Height x width x depth mm	Internal Dimensions Height x width x depth mm	Door clearance height x width mm	Bottom Dimensions height x width mm	Thicknesses Frame Door Case			Deadbolts		Unit weight kg
					mm	mm	mm	Horiz.	Vert. No.	
1.4322.20	200 x 310 x 200	182 x 292 x 148	140 x 250	228 x 330	10	10	2	2	-	12,30
1.4323.20	240 x 360 x 200	222 x 342 x 148	180 x 300	268 x 380	10	10	2	2	-	16,00
1.4324.20	300 x 420 x 200	282 x 402 x 148	240 x 360	328 x 440	10	10	2	2	2	22,00

- **Steel lock, operated by the knob and by 3 nickel-plated mechanical combination locks, each one with 20 positions.** The code can only be changed when the door is open.
- Supplied with 2 double bit nickel-plated brass keys, with non-slip plastic covered head, removable only when the door is closed.
- **Safe can be opened by first operating the combination and then the key.**
- **Double security** as the safe can only be opened by operating both the combination and the key.



ITEM No.	External Dimensions Height x width x depth mm	Internal Dimensions Height x width x depth mm	Door clearance height x width mm	Bottom Dimensions height x width mm	Thicknesses Frame Door Case			Deadbolts		Unit weight kg
					mm	mm	mm	Horiz.	Vert. No.	
1.4342.20	200 x 310 x 200	182 x 292 x 148	140 x 250	228 x 330	10	10	2	2	-	12,30
1.4343.20	240 x 360 x 200	222 x 342 x 148	180 x 300	268 x 380	10	10	2	2	-	16,00
1.4344.20	300 x 420 x 200	282 x 402 x 148	240 x 360	328 x 440	10	10	2	2	2	22,00

ACCESSORIES & SPARE PARTS

Since the doors can be easily replaced, the RAM7 IV DOOR can be ordered either as replacement or to take advantage of all the special electronic features of its advanced software for a Privacy safe with compatible dimensions. This can even be done on safes that have already been installed.

ITEM No.	External Dimensions height x width mm	Can be used with items
1.4383.0435	170 x 290	RAM7 IV: 1.4383.20 - 1.4383.20.AE - 1.4495.30 - 1.4495.30.AE PRIVACY: 1.4373.20 - 1.4373.20.AE - 1.4395.30 - 1.4395.30.AE
1.4384.0435	230 x 290	RAM7 IV: 1.4384.20 - 1.4384.20.AE PRIVACY: 1.4374.20 - 1.4377.20.AE
1.4386.0435	170 x 350	RAM7 IV: 1.4386.20 - 1.4386.20.AE PRIVACY: 1.4376.20 - 1.4376.20.AE - 1.4376.25



58030210205015 - 11/2008

Item No. 1.4383.0312
INSIDE LIGHTING MODULE
That lights up when the door is opened and switches off when it is closed. Very useful for finding things even in rather dark rooms. It can be installed very easily in the safe and/or the cabinet safety boxes. Supplied with batteries.



Item No. 4500.0758

CLAMP SET
for installing the Privacy or RAM7 IV horizontal free standing safe versions in walls.



Item No. 9250
ALKALINE BATTERIES
high-technology long-life. 5 years guaranteed charge from when they are produced. Environmentally friendly as they do not contain mercury or cadmium. Pack: 12 blisters with 4 batteries in each.



PRIVACY - ELECTRONIC SAFES

WITH LED AND ACOUSTIC SIGNALS



MECHANICAL FEATURES

- 10 mm thick **steel frame**.
- **8 mm thick steel door, replaceable, banded on the hinge side for better pull-resistance.**
- **Minimum space between door and frame** to prevent insertion of burglary tools.
- **Specially rebated** around the entire frame perimeter for greater resistance to attack
- 2 mm thick **steel case**.
- **Fins folded on all rear sides** ("L" shaped folded fins on both horizontal sides) **to increase resistance to attack (wall version only).**
- **Horizontal and vertical** (when present), all with double guides, **rotating nickel-plated steel deadbolts resistant to attack.**
- Reinforced hinges.
- **Programmed breakage knob** with steel shaft: if forced, the knob shaft will brake before mechanism, leaving no space for access by burglary tools.
- 1 mm thick **steel shelf**.
- **ADA compatible keypad with braille markings** (the non-sighted are able to recognize the exact layout of the keys and their activation).
- Brass cover plate **protecting the activator** (electromagnet) from access by burglary tools.
- **Optical open/close control sensor** of the door (unlike traditional models, it is not subject to mechanical wear).
- **Emergency cylinder** protected by anti-drill and tempered steel escutcheon resistant to attack, with 2 emergency patented profile keys that can only be duplicated by Viro supplied in a sealed envelope.



EMERGENCY OPENING



Standard version: with emergency cylinder and patented profile key that can only be duplicated by Viro.

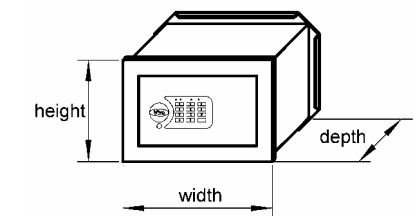
On request: operated by the external power supply. See items marked by ★.

ELECTRONIC FEATURES

- 2 green LED: OK (correct operation) and NEW CODE (new code), 2 red LED: ERROR (incorrect operation) BATTERY (flat batteries).
- Key layout limits typing errors.
- Accepts from **3 to 8 digit codes** (100 million possible combinations).
- The C key for changing the code is on the keypad. The code can only be changed when the door is open.
- Power supply take advantage of low tension technology (4 x alkaline 1,5 Volt batteries) to reduce battery consumption to a minimum (up to **20.000 operations with the same set of batteries**).
- **Non-volatile memory**, stored codes are not erased if the batteries are removed.
- Safe **blocks out** (for 15 minutes) after 5 consecutive incorrect codes are entered.
- **Electronic board protected against break-in attempts performed by high voltage electric shocks** and against incorrectly inserted batteries (the electronic boards of most safes on the market are seriously damaged by incorrect battery insertion).

HORIZONTAL WALL VERSIONS

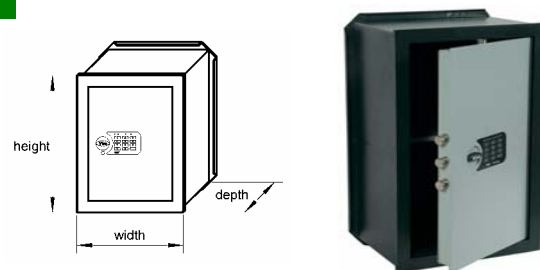
■ Since the door can be easily replaced, even if wall mounted or fixed with dowels, for these safe it is always possible to order RAM7 IV door as replacement to take advantage of all its special electronic features.



ART.N.	External Dimensions height x width x depth mm	Internal Dimensions height x width x depth mm	Door clearance height x width mm	Bottom Dimensions height x width mm	Thicknesses Frame Door Case			Deadbolts		Unit weight kg
					mm	mm	mm	Horiz.	Vert. No.	
1.4372.20	200 x 310 x 205	185 x 295 x 156	138 x 251	232 x 342	10	8	2	2	-	12,1
■ 1.4373.20	230 x 350 x 205	215 x 335 x 156	170 x 290	262 x 382	10	8	2	2	-	14,3
★ ■ 1.4373.20.AE	230 x 350 x 205	215 x 335 x 156	170 x 290	262 x 382	10	8	2	2	-	14,3
■ 1.4374.20	290 x 350 x 205	275 x 335 x 156	230 x 290	332 x 382	10	8	2	3	2	17,3
★ ■ 1.4374.20.AE	290 x 350 x 205	275 x 335 x 156	230 x 290	332 x 382	10	8	2	3	2	17,3
1.4375.20	290 x 410 x 205	275 x 395 x 156	230 x 350	322 x 442	10	8	2	3	2	19,9
■ 1.4376.20	330 x 410 x 205	315 x 395 x 156	270 x 350	362 x 442	10	8	2	3	2	22
★ ■ 1.4376.20.AE	330 x 410 x 205	315 x 395 x 156	270 x 350	362 x 442	10	8	2	3	2	22
■ 1.4376.25	330 x 410 x 350	315 x 395 x 201	270 x 350	362 x 442	10	8	2	3	2	22,7

VERTICAL WALL VERSIONS

- Suitable dimensions for suitcases, printouts and laptops.

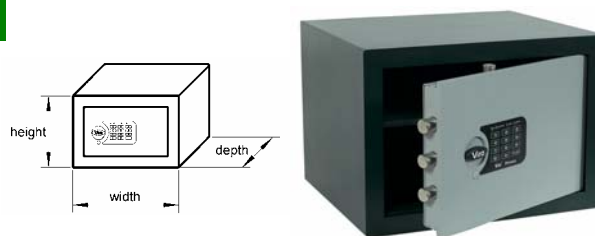


ITEM No.	External Dimensions height x width x depth mm	Internal Dimensions height x width x depth mm	Door clearance height x width mm	Bottom Dimensions height x width mm	Thicknesses			Deadbolts		Unit weight kg
					Frame	Door	Case	Horiz. No.	Vert. No.	
1.4378.20	555 x 350 x 205	540 x 335 x 156	495 x 290	587 x 382	10	8	2	3	2	30,30
1.4378.25	555 x 350 x 250	540 x 335 x 201	495 x 290	587 x 382	10	8	2	3	2	31,10

HORIZONTAL FREE STANDING VERSIONS

- 3mm thick steel frame.
- Fixing holes: 8 predrilled Ø 9,5 mm. (4 on the back and 4 on the base) for the anchoring to the wall or to a piece of furniture.

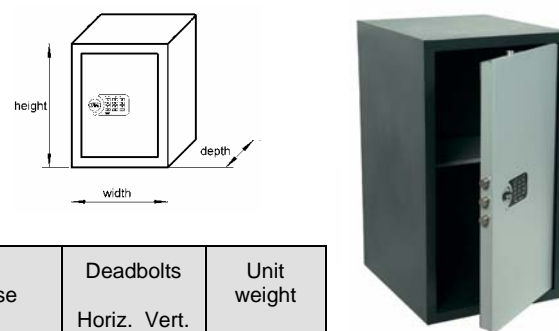
Since the door can be easily replaced, even if wall mounted or fixed with dowels, for these safe it is always possible to order RAM7 IV door as replacement to take advantage of all its special electronic features.



ITEM No.	External Dimensions height x width x depth mm.	Internal Dimensions height x width x depth mm.	Door clearance height x width mm.	Thickness			Deadbolts		Unit weight kg.
				Frame	Door	Case	Horiz. no.	Vert. no.	
1.4395.20	230 x 350 x 205	220 x 344 x 155	170 x 290	10	8	3	2	-	16,1
1.4395.30	230 x 350 x 305	220 x 344 x 255	170 x 290	10	8	3	2	-	19,1
1.4395.30 AE	230 x 350 x 305	220 x 344 x 255	170 x 290	10	8	3	2	-	19,1
14.393	290 x 410 x 350	280 x 404 x 300	230 x 350	10	8	3	3	2	27,8
14.394	360 x 490 x 350	350 x 484 x 300	300 x 430	10	8	3	3	2	33,9

VERTICAL FREE STANDING VERSIONS

- 3 mm thick steel frame.
- Fixing holes: 8 predrilled Ø 9,5 mm. (4 on the back and 4 on the base) for the anchoring to the wall or to a piece of furniture.
- Suitable dimensions for suitcases, printouts and laptops.



ITEM No.	External Dimensions height x width x depth mm	Internal Dimensions height x width x depth mm	Door clearance height x width mm	Thicknesses			Deadbolts		Unit weight kg
				Frame	Door	Case	Horiz. No.	Vert. No.	
1.4398	555 x 350 x 460	545 x 344 x 410	495 x 290	10	8	3	3	2	45,00
1.4396	790 x 440 x 500	780 x 434 x 450	730 x 380	10	8	3	3	2	70,30

WALL SAFE MERCHANDISER

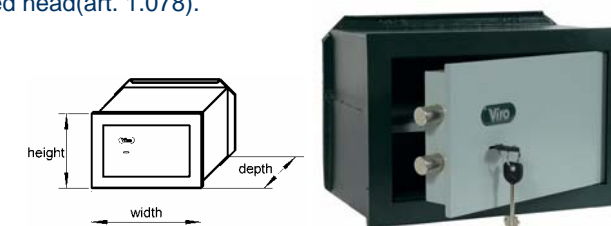
- Sturdy steel structure comprising:
 - ✓ A support base, 66 cm wide and 50 cm deep;
 - ✓ Upright column, 194 cm. high, with vertical slots at varying heights in which the safe support clamps can be inserted;
 - ✓ Steel clamps that can be slotted into the column with shafts already included in the supply (on request: fixing bracket set for horizontal free standing models Item 430035);
 - ✓ Advertising sign: Item 4300.3 describes the main features of all Viro wall safes.
- N.B: advertising sign **Item no. 2.1.4383.446.01.000** can also be ordered individually since as well as being used on the merchandisers, it can also be hung, propped, up on the counter, or fixed to a vertical surface.



STRUCTURAL FEATURES

- 10 mm thick steel frame.
- 10 mm thick steel door**, replaceable, **banded on the hinge side for better pull-resistance**.
- Minimum space between door and frame** to prevent insertion of burglary tools.
- Specially rebated** around the entire frame perimeter for greater resistance to attack.
- 2 mm thick steel case.
- Fins folded on all rear sides** ("L" shaped folded fins on both horizontal sides) **to increase resistance to attack (wall version only)**.
- Horizontal and vertical** (when present), **rotating** nickel-plated steel **deadbolts resistant to attack**.
- 1 mm thick steel **shelf**.
- Reinforced hinges**.
- 6 gorge steel lock** with different, independent depth. High number of possible bittings.
- Supplied with 2 double bit nickel-plated brass **keys**, with non-slip plastic covered head (art. 1.078).

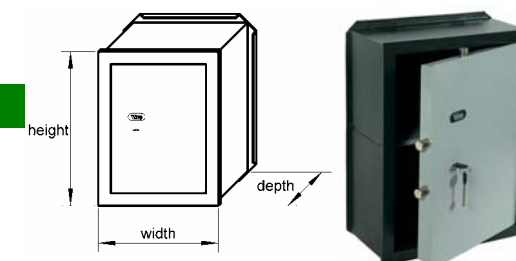
HORIZONTAL WALL VERSIONS



ITEM No.	External Dimensions height x width x depth mm.	Internal Dimensions height x width x depth mm.	Door clearance height x width mm.	Bottom Dimensions height x width mm.	Thicknesses			Deadbolts		Unit weight kg.
					Frame	Door	Case	mm.	Horiz. no.	
1.4302.20	200 x 310 x 200	182 x 292 x 148	140 x 250	228 x 330	10	10	2	2	-	11,80
1.4303.20	240 x 360 x 200	222 x 342 x 148	180 x 300	268 x 380	10	10	2	2	-	15,80
1.4304.20	300 x 420 x 200	282 x 402 x 148	240 x 360	328 x 440	10	10	2	2	2	22,70
1.4305.20	360 x 490 x 200	342 x 472 x 148	300 x 430	388 x 510	10	10	2	2	2	29,00

VERTICAL WALL VERSIONS

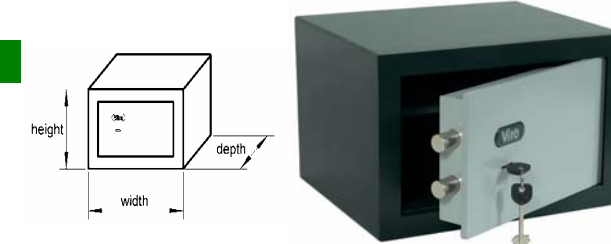
- Suitable dimensions for suitcases, printouts and laptops.



ITEM No.	External Dimensions height x width x depth mm	Internal Dimensions height x width x depth mm	Door clearance height x width mm	Bottom Dimensions height x width mm	Thicknesses			Deadbolts		Unit weight kg
					Frame	Door	Case	Horiz. No.	Vert. No.	
1.4307.20	550 x 420 x 200	532 x 402 x 148	490 x 360	578 x 440	10	10	2	2	2	35,70

HORIZONTAL FREE STANDING VERSIONS

- 3 mm thick steel frame.
- Fixing holes: 8 predrilled Ø 9,5 mm. (4 on the back and 4 on the base) for the anchoring to the wall or to a piece of furniture.



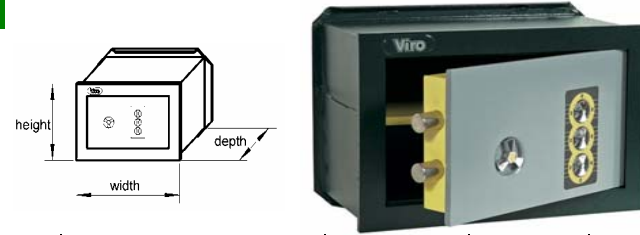
ITEM No.	External Dimensions height x width x depth mm	Internal Dimensions height x width x depth mm	Door clearance height x width mm	Thicknesses			Deadbolts		Unit weight kg
				Frame	Door	Case	Horiz. No.	Vert. No.	
1.4313.30	240 x 360 x 300	230 x 354 x 234	180 x 300	10	10	3	2	-	20,60
1.4314.35	300 x 420 x 350	290 x 414 x 284	240 x 360	10	10	3	2	2	29,70

PRIVACY – MECHANICAL COMBINATION LOCK SAFES



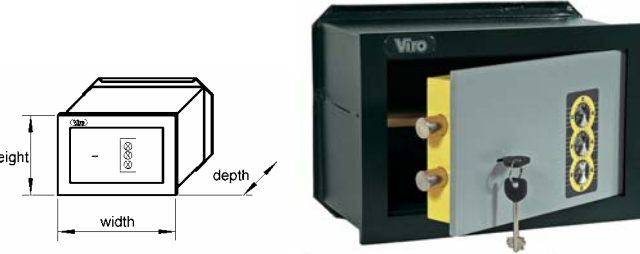
HORIZONTAL WALL VERSIONS

- **Steel lock, operated by the knob and by 3 nickel-plated mechanical combination locks, each one with 20 positions.** The code can only be changed when the door is open.



ITEM No.	External Dimensions Height x width x depth mm	Internal Dimensions Height x width x depth mm	Door clearance height x width mm	Bottom Dimensions height x width mm	Thicknesses Frame Door Case			Deadbolts		Unit weight kg
					mm	mm	mm	Horiz.	Vert. No.	
1.4322.20	200 x 310 x 200	182 x 292 x 148	140 x 250	228 x 330	10	10	2	2	-	12,30
1.4323.20	240 x 360 x 200	222 x 342 x 148	180 x 300	268 x 380	10	10	2	2	-	16,00
1.4324.20	300 x 420 x 200	282 x 402 x 148	240 x 360	328 x 440	10	10	2	2	2	22,00

- **Steel lock, operated by the knob and by 3 nickel-plated mechanical combination locks, each one with 20 positions.** The code can only be changed when the door is open.
- Supplied with 2 double bit nickel-plated brass keys, with non-slip plastic covered head, removable only when the door is closed.
- **Safe can be opened by first operating the combination and then the key.**
- **Double security** as the safe can only be opened by operating both the combination and the key.

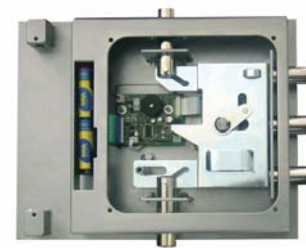


ITEM No.	External Dimensions Height x width x depth mm	Internal Dimensions Height x width x depth mm	Door clearance height x width mm	Bottom Dimensions height x width mm	Thicknesses Frame Door Case			Deadbolts		Unit weight kg
					mm	mm	mm	Horiz.	Vert. No.	
1.4342.20	200 x 310 x 200	182 x 292 x 148	140 x 250	228 x 330	10	10	2	2	-	12,30
1.4343.20	240 x 360 x 200	222 x 342 x 148	180 x 300	268 x 380	10	10	2	2	-	16,00
1.4344.20	300 x 420 x 200	282 x 402 x 148	240 x 360	328 x 440	10	10	2	2	2	22,00

ACCESSORIES & SPARE PARTS

Since the doors can be easily replaced, the RAM7 IV DOOR can be ordered either as replacement or to take advantage of all the special electronic features of its advanced software for a Privacy safe with compatible dimensions. This can even be done on safes that have already been installed.

ITEM No.	External Dimensions height x width mm	Can be used with items
1.4383.0435	170 x 290	RAM7 IV: 1.4383.20 - 1.4383.20.AE - 1.4495.30 - 1.4495.30.AE PRIVACY: 1.4373.20 - 1.4373.20.AE - 1.4395.30 - 1.4395.30.AE
1.4384.0435	230 x 290	RAM7 IV: 1.4384.20 - 1.4384.20.AE PRIVACY: 1.4374.20 - 1.4377.20.AE
1.4386.0435	170 x 350	RAM7 IV: 1.4386.20 - 1.4386.20.AE PRIVACY: 1.4376.20 - 1.4376.20.AE - 1.4376.25



58030210205015 - 11/2008

Item No. 1.4383.0312
INSIDE LIGHTING MODULE
That lights up when the door is opened and switches off when it is closed. Very useful for finding things even in rather dark rooms. It can be installed very easily in the safe and/or the cabinet safety boxes. Supplied with batteries.



Item No. 4500.0758

CLAMP SET
for installing the Privacy or RAM7 IV horizontal free standing safe versions in walls.



Item No. 9250
ALKALINE BATTERIES
high-technology long-life. 5 years guaranteed charge from when they are produced. Environmentally friendly as they do not contain mercury or cadmium. Pack: 12 blisters with 4 batteries in each.



PRIVACY - ELECTRONIC SAFES

WITH LED AND ACOUSTIC SIGNALS



MECHANICAL FEATURES

- 10 mm thick **steel frame**.
- **8 mm thick steel door, replaceable, banded on the hinge side for better pull-resistance.**
- **Minimum space between door and frame** to prevent insertion of burglary tools.
- **Specially rebated** around the entire frame perimeter for greater resistance to attack
- 2 mm thick **steel case**.
- **Fins folded on all rear sides** ("L" shaped folded fins on both horizontal sides) **to increase resistance to attack (wall version only).**
- **Horizontal and vertical** (when present), all with double guides, **rotating nickel-plated steel deadbolts resistant to attack.**
- Reinforced hinges.
- **Programmed breakage knob** with steel shaft: if forced, the knob shaft will brake before mechanism, leaving no space for access by burglary tools.
- 1 mm thick **steel shelf**.
- **ADA compatible keypad with braille markings** (the non-sighted are able to recognize the exact layout of the keys and their activation).
- Brass cover plate **protecting the activator** (electromagnet) from access by burglary tools.
- **Optical open/close control sensor** of the door (unlike traditional models, it is not subject to mechanical wear).
- **Emergency cylinder** protected by anti-drill and tempered steel escutcheon resistant to attack, with 2 emergency patented profile keys that can only be duplicated by Viro supplied in a sealed envelope.



EMERGENCY OPENING



Standard version: with emergency cylinder and patented profile key that can only be duplicated by Viro.

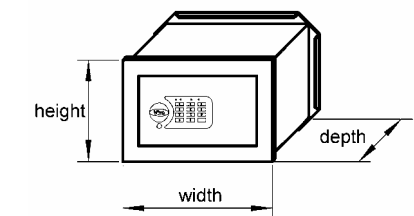
On request: operated by the external power supply. See items marked by ★.

ELECTRONIC FEATURES

- 2 green LED: OK (correct operation) and NEW CODE (new code), 2 red LED: ERROR (incorrect operation) BATTERY (flat batteries).
- Key layout limits typing errors.
- Accepts from **3 to 8 digit codes** (100 million possible combinations).
- The C key for changing the code is on the keypad. The code can only be changed when the door is open.
- Power supply take advantage of low tension technology (4 x alkaline 1,5 Volt batteries) to reduce battery consumption to a minimum (up to **20.000 operations with the same set of batteries**).
- **Non-volatile memory**, stored codes are not erased if the batteries are removed.
- Safe **blocks out** (for 15 minutes) after 5 consecutive incorrect codes are entered.
- **Electronic board protected against break-in attempts performed by high voltage electric shocks** and against incorrectly inserted batteries (the electronic boards of most safes on the market are seriously damaged by incorrect battery insertion).

HORIZONTAL WALL VERSIONS

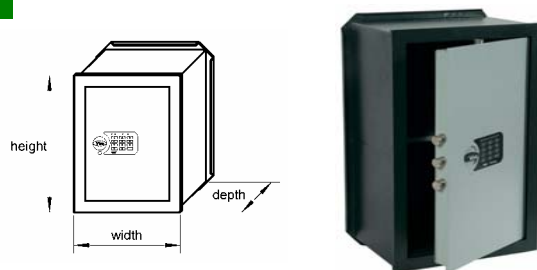
■ Since the door can be easily replaced, even if wall mounted or fixed with dowels, for these safe it is always possible to order RAM7 IV door as replacement to take advantage of all its special electronic features.



ART.N.	External Dimensions height x width x depth mm	Internal Dimensions height x width x depth mm	Door clearance height x width mm	Bottom Dimensions height x width mm	Thicknesses Frame Door Case			Deadbolts		Unit weight kg
					mm	mm	mm	Horiz.	Vert. No.	
1.4372.20	200 x 310 x 205	185 x 295 x 156	138 x 251	232 x 342	10	8	2	2	-	12,1
■ 1.4373.20	230 x 350 x 205	215 x 335 x 156	170 x 290	262 x 382	10	8	2	2	-	14,3
★ ■ 1.4373.20.AE	230 x 350 x 205	215 x 335 x 156	170 x 290	262 x 382	10	8	2	2	-	14,3
■ 1.4374.20	290 x 350 x 205	275 x 335 x 156	230 x 290	332 x 382	10	8	2	3	2	17,3
★ ■ 1.4374.20.AE	290 x 350 x 205	275 x 335 x 156	230 x 290	332 x 382	10	8	2	3	2	17,3
1.4375.20	290 x 410 x 205	275 x 395 x 156	230 x 350	322 x 442	10	8	2	3	2	19,9
■ 1.4376.20	330 x 410 x 205	315 x 395 x 156	270 x 350	362 x 442	10	8	2	3	2	22
★ ■ 1.4376.20.AE	330 x 410 x 205	315 x 395 x 156	270 x 350	362 x 442	10	8	2	3	2	22
■ 1.4376.25	330 x 410 x 350	315 x 395 x 201	270 x 350	362 x 442	10	8	2	3	2	22,7

VERTICAL WALL VERSIONS

- Suitable dimensions for suitcases, printouts and laptops.

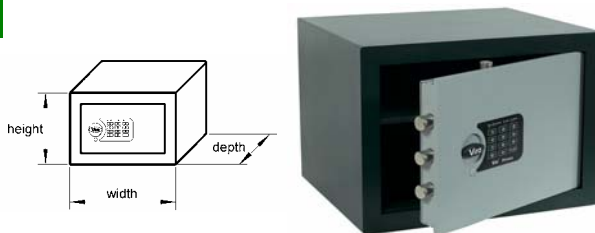


ITEM No.	External Dimensions height x width x depth mm	Internal Dimensions height x width x depth mm	Door clearance height x width mm	Bottom Dimensions height x width mm	Thicknesses			Deadbolts		Unit weight kg
					Frame	Door	Case	Horiz. No.	Vert. No.	
1.4378.20	555 x 350 x 205	540 x 335 x 156	495 x 290	587 x 382	10	8	2	3	2	30,30
1.4378.25	555 x 350 x 250	540 x 335 x 201	495 x 290	587 x 382	10	8	2	3	2	31,10

HORIZONTAL FREE STANDING VERSIONS

- 3mm thick steel frame.
- Fixing holes: 8 predrilled Ø 9,5 mm. (4 on the back and 4 on the base) for the anchoring to the wall or to a piece of furniture.

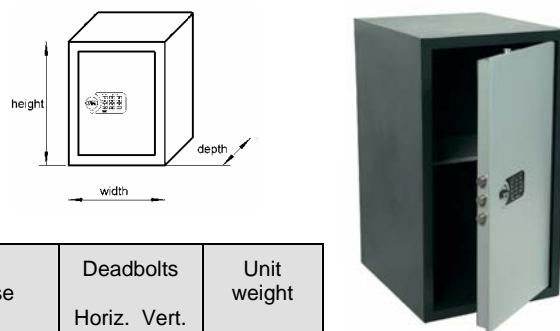
Since the door can be easily replaced, even if wall mounted or fixed with dowels, for these safe it is always possible to order RAM7 IV door as replacement to take advantage of all its special electronic features.



ITEM No.	External Dimensions height x width x depth mm.	Internal Dimensions height x width x depth mm.	Door clearance height x width mm.	Thickness			Deadbolts		Unit weight kg.
				Frame	Door	Case	Horiz. no.	Vert. no.	
1.4395.20	230 x 350 x 205	220 x 344 x 155	170 x 290	10	8	3	2	-	16,1
1.4395.30	230 x 350 x 305	220 x 344 x 255	170 x 290	10	8	3	2	-	19,1
1.4395.30 AE	230 x 350 x 305	220 x 344 x 255	170 x 290	10	8	3	2	-	19,1
14.393	290 x 410 x 350	280 x 404 x 300	230 x 350	10	8	3	3	2	27,8
14.394	360 x 490 x 350	350 x 484 x 300	300 x 430	10	8	3	3	2	33,9

VERTICAL FREE STANDING VERSIONS

- 3 mm thick steel frame.
- Fixing holes: 8 predrilled Ø 9,5 mm. (4 on the back and 4 on the base) for the anchoring to the wall or to a piece of furniture.
- Suitable dimensions for suitcases, printouts and laptops.



ITEM No.	External Dimensions height x width x depth mm	Internal Dimensions height x width x depth mm	Door clearance height x width mm	Thicknesses			Deadbolts		Unit weight kg
				Frame	Door	Case	Horiz. No.	Vert. No.	
1.4398	555 x 350 x 460	545 x 344 x 410	495 x 290	10	8	3	3	2	45,00
1.4396	790 x 440 x 500	780 x 434 x 450	730 x 380	10	8	3	3	2	70,30

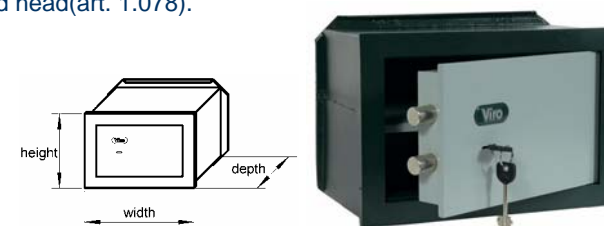
WALL SAFE MERCHANDISER

- Sturdy steel structure comprising:
 - ✓ A support base, 66 cm wide and 50 cm deep;
 - ✓ Upright column, 194 cm. high, with vertical slots at varying heights in which the safe support clamps can be inserted;
 - ✓ Steel clamps that can be slotted into the column with shafts already included in the supply (on request: fixing bracket set for horizontal free standing models Item 430035);
 - ✓ Advertising sign: Item 4300.3 describes the main features of all Viro wall safes.
- N.B: advertising sign **Item no. 2.1.4383.446.01.000** can also be ordered individually since as well as being used on the merchandisers, it can also be hung, propped, up on the counter, or fixed to a vertical surface.

STRUCTURAL FEATURES

- 10 mm thick steel frame.
- 10 mm thick steel door**, replaceable, **banded on the hinge side for better pull-resistance**.
- Minimum space between door and frame** to prevent insertion of burglary tools.
- Specially rebated** around the entire frame perimeter for greater resistance to attack.
- 2 mm thick steel case.
- Fins folded on all rear sides** ("L" shaped folded fins on both horizontal sides) **to increase resistance to attack (wall version only)**.
- Horizontal and vertical** (when present), **rotating** nickel-plated steel **deadbolts resistant to attack**.
- 1 mm thick steel **shelf**.
- Reinforced hinges**.
- 6 gorge steel lock** with different, independent depth. High number of possible bittings.
- Supplied with 2 double bit nickel-plated brass **keys**, with non-slip plastic covered head (art. 1.078).

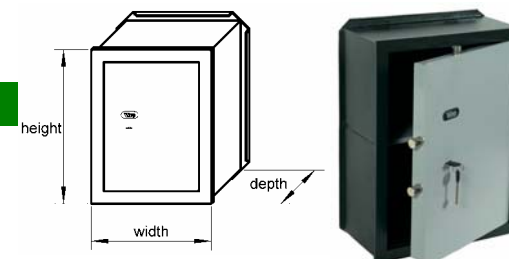
HORIZONTAL WALL VERSIONS



ITEM No.	External Dimensions height x width x depth mm.	Internal Dimensions height x width x depth mm.	Door clearance height x width mm.	Bottom Dimensions height x width mm.	Thicknesses			Deadbolts		Unit weight kg.
					Frame	Door	Case	mm.	Horiz. no.	
1.4302.20	200 x 310 x 200	182 x 292 x 148	140 x 250	228 x 330	10	10	2	2	-	11,80
1.4303.20	240 x 360 x 200	222 x 342 x 148	180 x 300	268 x 380	10	10	2	2	-	15,80
1.4304.20	300 x 420 x 200	282 x 402 x 148	240 x 360	328 x 440	10	10	2	2	2	22,70
1.4305.20	360 x 490 x 200	342 x 472 x 148	300 x 430	388 x 510	10	10	2	2	2	29,00

VERTICAL WALL VERSIONS

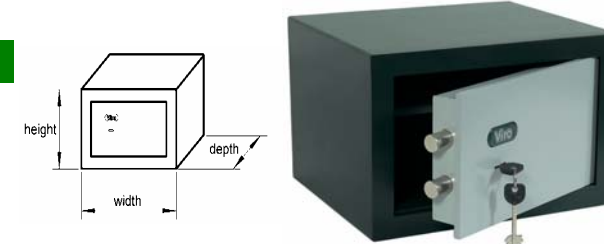
- Suitable dimensions for suitcases, printouts and laptops.



ITEM No.	External Dimensions height x width x depth mm	Internal Dimensions height x width x depth mm	Door clearance height x width mm	Bottom Dimensions height x width mm	Thicknesses			Deadbolts		Unit weight kg
					Frame	Door	Case	Horiz. No.	Vert. No.	
1.4307.20	550 x 420 x 200	532 x 402 x 148	490 x 360	578 x 440	10	10	2	2	2	35,70

HORIZONTAL FREE STANDING VERSIONS

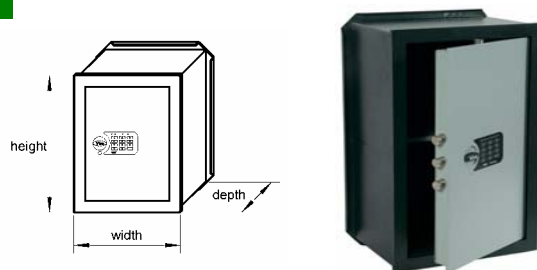
- 3 mm thick steel frame.
- Fixing holes: 8 predrilled Ø 9,5 mm. (4 on the back and 4 on the base) for the anchoring to the wall or to a piece of furniture.



ITEM No.	External Dimensions height x width x depth mm	Internal Dimensions height x width x depth mm	Door clearance height x width mm	Thicknesses			Deadbolts		Unit weight kg
				Frame	Door	Case	Horiz. No.	Vert. No.	
1.4313.30	240 x 360 x 300	230 x 354 x 234	180 x 300	10	10	3	2	-	20,60
1.4314.35	300 x 420 x 350	290 x 414 x 284	240 x 360	10	10	3	2	2	29,70

VERTICAL WALL VERSIONS

- Suitable dimensions for suitcases, printouts and laptops.

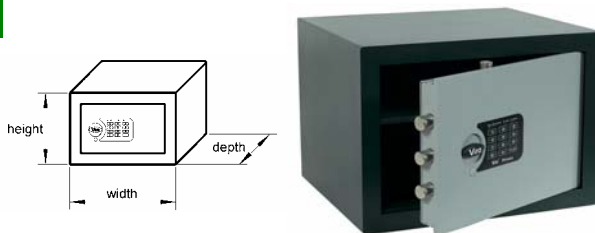


ITEM No.	External Dimensions height x width x depth mm	Internal Dimensions height x width x depth mm	Door clearance height x width mm	Bottom Dimensions height x width mm	Thicknesses			Deadbolts		Unit weight kg
					Frame	Door	Case	Horiz. No.	Vert. No.	
1.4378.20	555 x 350 x 205	540 x 335 x 156	495 x 290	587 x 382	10	8	2	3	2	30,30
1.4378.25	555 x 350 x 250	540 x 335 x 201	495 x 290	587 x 382	10	8	2	3	2	31,10

HORIZONTAL FREE STANDING VERSIONS

- 3mm thick steel frame.
- Fixing holes: 8 predrilled Ø 9,5 mm. (4 on the back and 4 on the base) for the anchoring to the wall or to a piece of furniture.

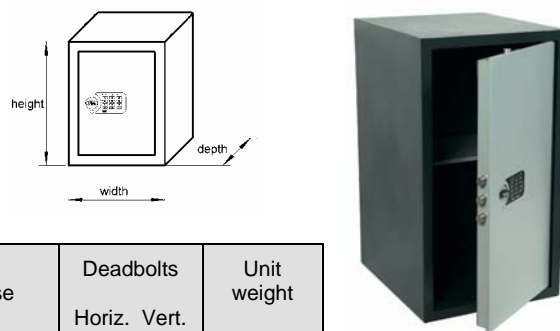
Since the door can be easily replaced, even if wall mounted or fixed with dowels, for these safe it is always possible to order RAM7 IV door as replacement to take advantage of all its special electronic features.



ITEM No.	External Dimensions height x width x depth mm.	Internal Dimensions height x width x depth mm.	Door clearance height x width mm.	Thickness			Deadbolts		Unit weight kg.
				Frame	Door	Case	Horiz. no.	Vert. no.	
1.4395.20	230 x 350 x 205	220 x 344 x 155	170 x 290	10	8	3	2	-	16,1
1.4395.30	230 x 350 x 305	220 x 344 x 255	170 x 290	10	8	3	2	-	19,1
1.4395.30 AE	230 x 350 x 305	220 x 344 x 255	170 x 290	10	8	3	2	-	19,1
14.393	290 x 410 x 350	280 x 404 x 300	230 x 350	10	8	3	3	2	27,8
14.394	360 x 490 x 350	350 x 484 x 300	300 x 430	10	8	3	3	2	33,9

VERTICAL FREE STANDING VERSIONS

- 3 mm thick steel frame.
- Fixing holes: 8 predrilled Ø 9,5 mm. (4 on the back and 4 on the base) for the anchoring to the wall or to a piece of furniture.
- Suitable dimensions for suitcases, printouts and laptops.



ITEM No.	External Dimensions height x width x depth mm	Internal Dimensions height x width x depth mm	Door clearance height x width mm	Thicknesses			Deadbolts		Unit weight kg
				Frame	Door	Case	Horiz. No.	Vert. No.	
1.4398	555 x 350 x 460	545 x 344 x 410	495 x 290	10	8	3	3	2	45,00
1.4396	790 x 440 x 500	780 x 434 x 450	730 x 380	10	8	3	3	2	70,30

WALL SAFE MERCHANDISER

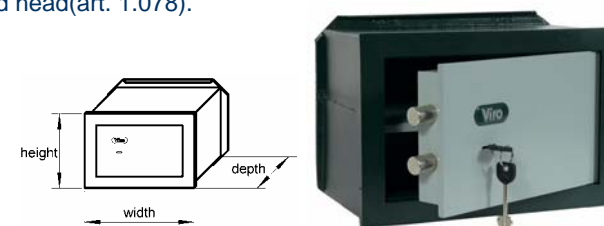
- Sturdy steel structure comprising:
 - ✓ A support base, 66 cm wide and 50 cm deep;
 - ✓ Upright column, 194 cm. high, with vertical slots at varying heights in which the safe support clamps can be inserted;
 - ✓ Steel clamps that can be slotted into the column with shafts already included in the supply (on request: fixing bracket set for horizontal free standing models Item 430035);
 - ✓ Advertising sign: Item 4300.3 describes the main features of all Viro wall safes.
- N.B: advertising sign **Item no. 2.1.4383.446.01.000** can also be ordered individually since as well as being used on the merchandisers, it can also be hung, propped, up on the counter, or fixed to a vertical surface.



STRUCTURAL FEATURES

- 10 mm thick steel frame.
- 10 mm thick steel door**, replaceable, **banded on the hinge side for better pull-resistance**.
- Minimum space between door and frame** to prevent insertion of burglary tools.
- Specially rebated** around the entire frame perimeter for greater resistance to attack.
- 2 mm thick steel case.
- Fins folded on all rear sides** ("L" shaped folded fins on both horizontal sides) **to increase resistance to attack (wall version only)**.
- Horizontal and vertical** (when present), **rotating** nickel-plated steel **deadbolts resistant to attack**.
- 1 mm thick steel **shelf**.
- Reinforced hinges**.
- 6 gorge steel lock** with different, independent depth. High number of possible bittings.
- Supplied with 2 double bit nickel-plated brass **keys**, with non-slip plastic covered head (art. 1.078).

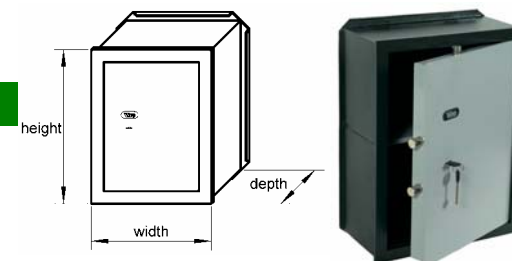
HORIZONTAL WALL VERSIONS



ITEM No.	External Dimensions height x width x depth mm.	Internal Dimensions height x width x depth mm.	Door clearance height x width mm.	Bottom Dimensions height x width mm.	Thicknesses			Deadbolts		Unit weight kg.
					Frame	Door	Case	mm.	Horiz. no.	
1.4302.20	200 x 310 x 200	182 x 292 x 148	140 x 250	228 x 330	10	10	2	2	-	11,80
1.4303.20	240 x 360 x 200	222 x 342 x 148	180 x 300	268 x 380	10	10	2	2	-	15,80
1.4304.20	300 x 420 x 200	282 x 402 x 148	240 x 360	328 x 440	10	10	2	2	2	22,70
1.4305.20	360 x 490 x 200	342 x 472 x 148	300 x 430	388 x 510	10	10	2	2	2	29,00

VERTICAL WALL VERSIONS

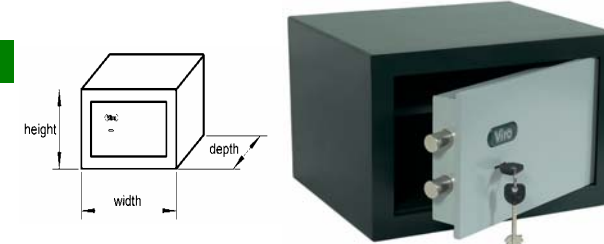
- Suitable dimensions for suitcases, printouts and laptops.



ITEM No.	External Dimensions height x width x depth mm	Internal Dimensions height x width x depth mm	Door clearance height x width mm	Bottom Dimensions height x width mm	Thicknesses			Deadbolts		Unit weight kg
					Frame	Door	Case	Horiz. No.	Vert. No.	
1.4307.20	550 x 420 x 200	532 x 402 x 148	490 x 360	578 x 440	10	10	2	2	2	35,70

HORIZONTAL FREE STANDING VERSIONS

- 3 mm thick steel frame.
- Fixing holes: 8 predrilled Ø 9,5 mm. (4 on the back and 4 on the base) for the anchoring to the wall or to a piece of furniture.



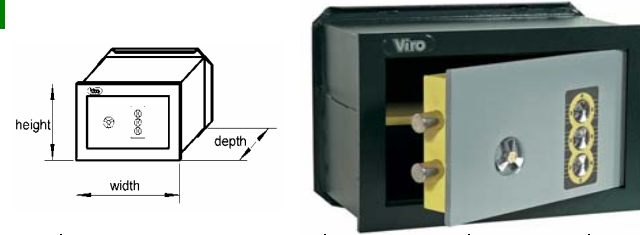
ITEM No.	External Dimensions height x width x depth mm	Internal Dimensions height x width x depth mm	Door clearance height x width mm	Thicknesses			Deadbolts		Unit weight kg
				Frame	Door	Case	Horiz. No.	Vert. No.	
1.4313.30	240 x 360 x 300	230 x 354 x 234	180 x 300	10	10	3	2	-	20,60
1.4314.35	300 x 420 x 350	290 x 414 x 284	240 x 360	10	10	3	2	2	29,70

PRIVACY – MECHANICAL COMBINATION LOCK SAFES



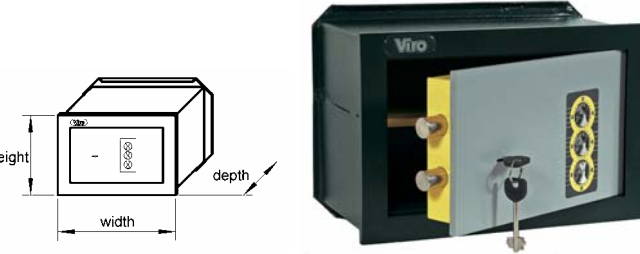
HORIZONTAL WALL VERSIONS

- **Steel lock, operated by the knob and by 3 nickel-plated mechanical combination locks, each one with 20 positions.** The code can only be changed when the door is open.



ITEM No.	External Dimensions Height x width x depth mm	Internal Dimensions Height x width x depth mm	Door clearance height x width mm	Bottom Dimensions height x width mm	Thicknesses Frame Door Case			Deadbolts		Unit weight kg
					mm	mm	mm	Horiz.	Vert. No.	
1.4322.20	200 x 310 x 200	182 x 292 x 148	140 x 250	228 x 330	10	10	2	2	-	12,30
1.4323.20	240 x 360 x 200	222 x 342 x 148	180 x 300	268 x 380	10	10	2	2	-	16,00
1.4324.20	300 x 420 x 200	282 x 402 x 148	240 x 360	328 x 440	10	10	2	2	2	22,00

- **Steel lock, operated by the knob and by 3 nickel-plated mechanical combination locks, each one with 20 positions.** The code can only be changed when the door is open.
- Supplied with 2 double bit nickel-plated brass keys, with non-slip plastic covered head, removable only when the door is closed.
- **Safe can be opened by first operating the combination and then the key.**
- **Double security** as the safe can only be opened by operating both the combination and the key.



ITEM No.	External Dimensions Height x width x depth mm	Internal Dimensions Height x width x depth mm	Door clearance height x width mm	Bottom Dimensions height x width mm	Thicknesses Frame Door Case			Deadbolts		Unit weight kg
					mm	mm	mm	Horiz.	Vert. No.	
1.4342.20	200 x 310 x 200	182 x 292 x 148	140 x 250	228 x 330	10	10	2	2	-	12,30
1.4343.20	240 x 360 x 200	222 x 342 x 148	180 x 300	268 x 380	10	10	2	2	-	16,00
1.4344.20	300 x 420 x 200	282 x 402 x 148	240 x 360	328 x 440	10	10	2	2	2	22,00

ACCESSORIES & SPARE PARTS

Since the doors can be easily replaced, the RAM7 IV DOOR can be ordered either as replacement or to take advantage of all the special electronic features of its advanced software for a Privacy safe with compatible dimensions. This can even be done on safes that have already been installed.

ITEM No.	External Dimensions height x width mm	Can be used with items
1.4383.0435	170 x 290	RAM7 IV: 1.4383.20 - 1.4383.20.AE - 1.4495.30 - 1.4495.30.AE PRIVACY: 1.4373.20 - 1.4373.20.AE - 1.4395.30 - 1.4395.30.AE
1.4384.0435	230 x 290	RAM7 IV: 1.4384.20 - 1.4384.20.AE PRIVACY: 1.4374.20 - 1.4377.20.AE
1.4386.0435	170 x 350	RAM7 IV: 1.4386.20 - 1.4386.20.AE PRIVACY: 1.4376.20 - 1.4376.20.AE - 1.4376.25



58030210205015 - 11/2008

Item No. 1.4383.0312
INSIDE LIGHTING MODULE
That lights up when the door is opened and switches off when it is closed. Very useful for finding things even in rather dark rooms. It can be installed very easily in the safe and/or the cabinet safety boxes. Supplied with batteries.



Item No. 4500.0758

CLAMP SET
for installing the Privacy or RAM7 IV horizontal free standing safe versions in walls.



Item No. 9250

ALKALINE BATTERIES
high-technology long-life. 5 years guaranteed charge from when they are produced. Environmentally friendly as they do not contain mercury or cadmium.
Pack: 12 blisters with 4 batteries in each.



PRIVACY - ELECTRONIC SAFES

WITH LED AND ACOUSTIC SIGNALS



MECHANICAL FEATURES

- 10 mm thick **steel frame**.
- **8 mm thick steel door, replaceable, banded on the hinge side for better pull-resistance.**
- **Minimum space between door and frame** to prevent insertion of burglary tools.
- **Specially rebated** around the entire frame perimeter for greater resistance to attack
- 2 mm thick **steel case**.
- **Fins folded on all rear sides** ("L" shaped folded fins on both horizontal sides) **to increase resistance to attack (wall version only).**
- **Horizontal and vertical** (when present), all with double guides, **rotating nickel-plated steel deadbolts resistant to attack.**
- Reinforced hinges.
- **Programmed breakage knob** with steel shaft: if forced, the knob shaft will brake before mechanism, leaving no space for access by burglary tools.
- 1 mm thick **steel shelf**.
- **ADA compatible keypad with braille markings** (the non-sighted are able to recognize the exact layout of the keys and their activation).
- Brass cover plate **protecting the activator** (electromagnet) from access by burglary tools.
- **Optical open/close control sensor** of the door (unlike traditional models, it is not subject to mechanical wear).
- **Emergency cylinder** protected by anti-drill and tempered steel escutcheon resistant to attack, with 2 emergency patented profile keys that can only be duplicated by Viro supplied in a sealed envelope.



EMERGENCY OPENING



Standard version: with emergency cylinder and patented profile key that can only be duplicated by Viro.

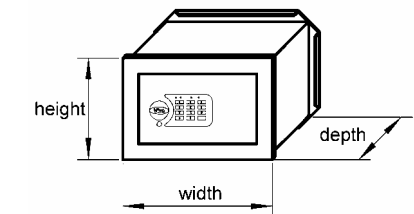
On request: operated by the external power supply. See items marked by ★.

ELECTRONIC FEATURES

- 2 green LED: OK (correct operation) and NEW CODE (new code), 2 red LED: ERROR (incorrect operation) BATTERY (flat batteries).
- Key layout limits typing errors.
- Accepts from **3 to 8 digit codes** (100 million possible combinations).
- The C key for changing the code is on the keypad. The code can only be changed when the door is open.
- Power supply take advantage of low tension technology (4 x alkaline 1,5 Volt batteries) to reduce battery consumption to a minimum (up to **20.000 operations with the same set of batteries**).
- **Non-volatile memory**, stored codes are not erased if the batteries are removed.
- Safe **blocks out** (for 15 minutes) after 5 consecutive incorrect codes are entered.
- **Electronic board protected against break-in attempts performed by high voltage electric shocks** and against incorrectly inserted batteries (the electronic boards of most safes on the market are seriously damaged by incorrect battery insertion).

HORIZONTAL WALL VERSIONS

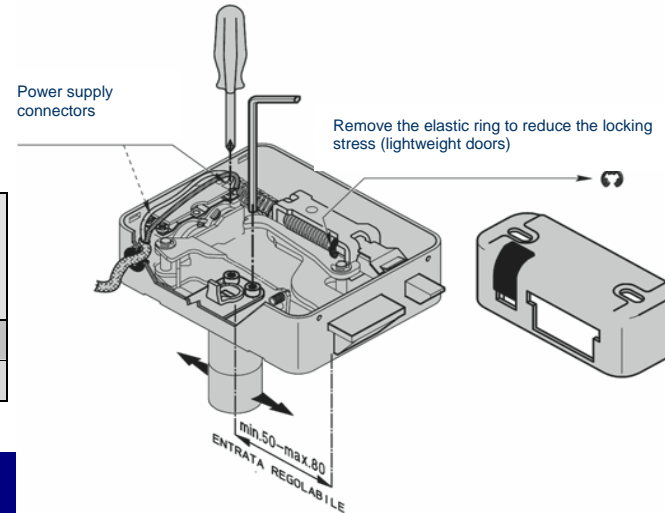
■ Since the door can be easily replaced, even if wall mounted or fixed with dowels, for these safe it is always possible to order RAM7 IV door as replacement to take advantage of all its special electronic features.



ART.N.	External Dimensions height x width x depth mm	Internal Dimensions height x width x depth mm	Door clearance height x width mm	Bottom Dimensions height x width mm	Thicknesses Frame Door Case			Deadbolts		Unit weight kg
					mm	mm	mm	Horiz.	Vert. No.	
1.4372.20	200 x 310 x 205	185 x 295 x 156	138 x 251	232 x 342	10	8	2	2	-	12,1
■ 1.4373.20	230 x 350 x 205	215 x 335 x 156	170 x 290	262 x 382	10	8	2	2	-	14,3
★ ■ 1.4373.20.AE	230 x 350 x 205	215 x 335 x 156	170 x 290	262 x 382	10	8	2	2	-	14,3
■ 1.4374.20	290 x 350 x 205	275 x 335 x 156	230 x 290	332 x 382	10	8	2	3	2	17,3
★ ■ 1.4374.20.AE	290 x 350 x 205	275 x 335 x 156	230 x 290	332 x 382	10	8	2	3	2	17,3
1.4375.20	290 x 410 x 205	275 x 395 x 156	230 x 350	322 x 442	10	8	2	3	2	19,9
■ 1.4376.20	330 x 410 x 205	315 x 395 x 156	270 x 350	362 x 442	10	8	2	3	2	22
★ ■ 1.4376.20.AE	330 x 410 x 205	315 x 395 x 156	270 x 350	362 x 442	10	8	2	3	2	22
■ 1.4376.25	330 x 410 x 350	315 x 395 x 201	270 x 350	362 x 442	10	8	2	3	2	22,7

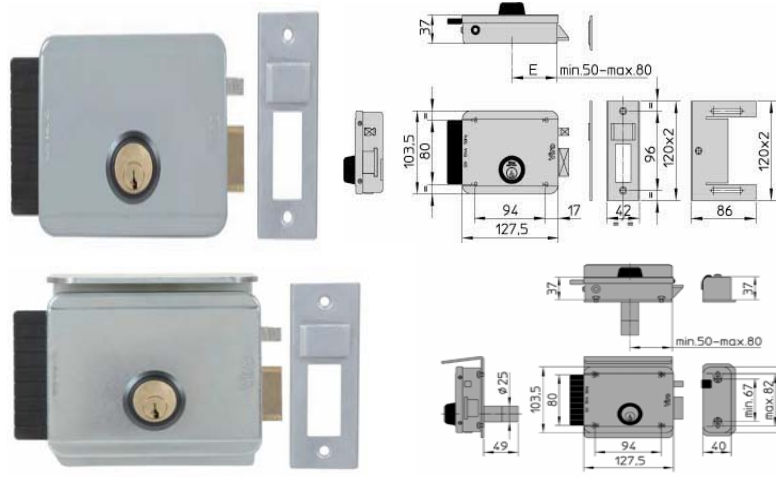
“V97” ADJUSTABLE BACKSET FROM 50 TO 80 MM

- Interchangeable with the most already installed electric locks, thanks to the same universal fixing holes and maintaining installed the same striker.
- Self locking latch in the locked position.
- The ejector is separated from the latch to ensure the correct working of the lock, even if there is vertical adjustment between lock and the striker up to +/- 6 mm.
- Very easy installation:
 - ✓ perfectly adjustable backset from 50 to 80 mm (the electric locks supplied from the competitors do not include this technical feature);
 - ✓ vertically adjustable striker, with self-lubricating nylon support opposite the ejector;
 - ✓ for the versions with external opening stiker inox steel.
- If installed on lightweight doors or gates, the locking stress can be reduced by removing an elastic ring from the inside of the lock.



	ITEM No.	Backset mm	Lock dimensions mm	Internal cylinder (fixed) Item No.	External cylinder (fixed) Item No.	Unit weight g
Right	8992.1	50 ÷ 80	127,5 x 103,5	791	794	2165
Left	8992.2	50 ÷ 80	127,5 x 103,5	791	794	2165

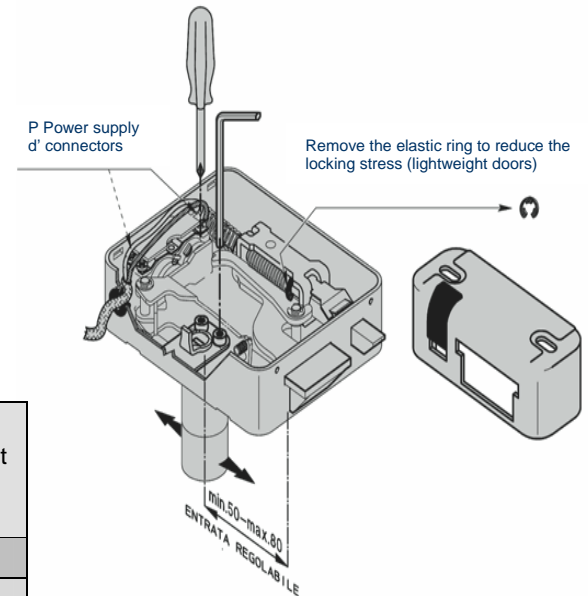
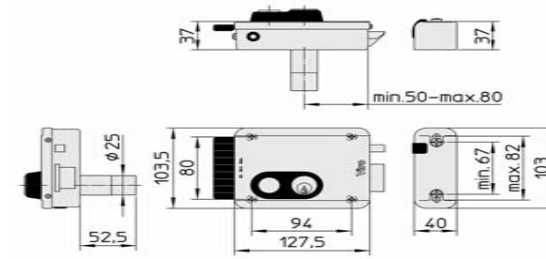
“V97” EXTERNAL OPENING ONLY CYLINDER



	ITEM. No.	Backset mm.	Lock dimensions mm.	Internal cylinder (fixed) Item. N.	External cylinder (fixed) Item. N.	External cylinder (loose) Item. N.	Unit weight gr.
Painted versions with galvanised base							
Right	8963.712.1	50-60-70-80	127,5 x 103,5	791	-	712	1400
Left	8963.712.2	50-60-70-80	127,5 x 103,5	791	-	712	1400
Fully galvanised versions with galvanized roof-plate (art.2.0.8992.600.00.000.B) in galvanised steel							
Right	8993.794.1	50-60-70-80	127,5 x 103,5	791	794	-	2000
Left	8993.794.2	50-60-70-80	127,5 x 103,5	791	794	-	2000

“V97” WITH PUSH BUTTON AND ADJUSTABLE BACKSET FROM 50 TO 80 MM

- Interchangeable with the most already installed electric locks, thanks to the same universal fixing holes and maintaining installed the same striker.
- Self locking latch in the locked position.
- The ejector is separated from the latch to ensure the correct working of the lock, even if there is vertical adjustment between lock and the striker up to +/- 6 mm.
- By rotating the key from the inside, it is possible to:
 - ✓ block or activate the button function;
 - ✓ block or activate the “dogging device” function (possibility to keep the lock always open, if required).
- Very easy installation:
 - ✓ perfectly adjustable backset from 50 to 80 mm (the electric locks supplied from the competitors do not include this technical feature);
 - ✓ vertically adjustable striker, with self-lubricating nylon support opposite the ejector;
 - ✓ for the versions with external opening stiker inox steel.
- If installed on lightweight doors or gates, the locking stress can be reduced by removing an elastic ring from the inside of the lock.

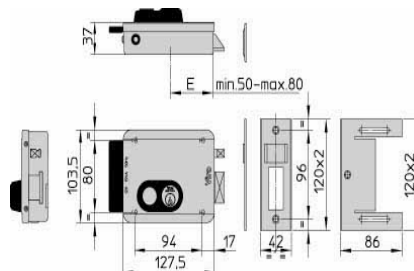


	ITEM No	Backset mm	Lock dimensions mm	Internal cylinder (fixed) Item No.	External cylinder (fixed) Item No.	Unit weight g
Right	8972.1	50 ÷ 80	127,5 x 103,5	791	794	1535
Left	8972.2	50 ÷ 80	127,5 x 103,5	791	794	1535

“V97” EXTERNAL OPENING WITH BOTTON



	ITEM No	Backset mm.	Lock dimensions mm.	Internal cylinder (fixed) Item No.	External cylinder (loose) Item No.	Unit weight gr.
Right	8973.712.1	50-60-70-80	127,5 x 103,5	791	712	1450
Left	8973.712.2	50-60-70-80	127,5 x 103,5	791	712	1450



“V05” – ADJUSTABLE BACKSET FROM 50 TO 80 MM

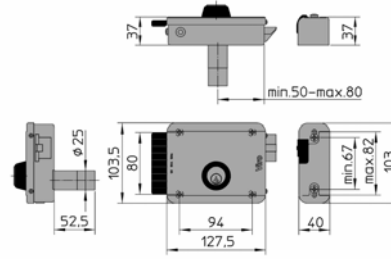
- Completely interchangeable with the V75 electric locks without replacing the striker.
- Brass latch – Steel ejector incorporated into the latch.
- Supplied with adjustable height striker, with self-lubricating nylon support in contact with the ejector.



1.7962 SERIES – DOUBLE CYLINDER

- Fixed internal cylinder – fixed or loose external cylinder.
- Metallized bronze painted.
- Can be installed on wooden or metal doors or gates.
- Nylon handle and cylinder ring nut.

	ITEM No.	Backset mm	Lock dimensions mm	Internal cylinder (fixed) Item No.	External cylinder (fixed) Item No.	External cylinder (loose) Item No.	Unit weight g
		E					
Right	1.7962.0794.1	50 ÷ 80	127,5 x 103,5	791	794	-	1420
Left	1.7962.0794.2	50 ÷ 80	127,5 x 103,5	791	794	-	1420
Right	1.7962.0712.1	50 ÷ 80	127,5 x 103,5	791	-	712	1430
Left	1.7962.0712.2	50 ÷ 80	127,5 x 103,5	791	-	712	1430

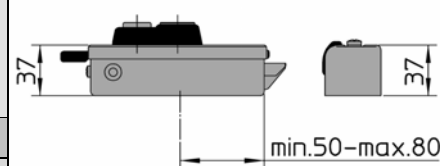


1.7972 SERIES – DOUBLE CYLINDER AND PUSH BUTTON

- Fixed internal cylinder – loose external cylinder.
- Brass push button.
- Metallized bronze painted.
- Can be installed on wooden or metal doors or gates.
- Nylon handle and cylinder/button ring nut.
- By rotating the key from the inside, it is possible to:
 - ✓ block or activate the button function;
 - ✓ block or activate the “dogging device” function (possibility to keep the lock always



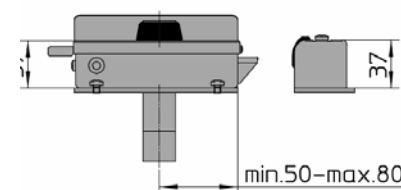
	ITEM No.	Backset mm	Lock dimensions mm	Internal cylinder (fixed) Item No.	External cylinder (loose) Item No.	Unit weight g
		E				
Right	1.7972.0712.1	50 ÷ 80	127,5 x 103,5	791	712	1420
Left	1.7972.0712.2	50 ÷ 80	127,5 x 103,5	791	712	1420



1.7992 SERIES – DOUBLE CYLINDER

- Fixed internal cylinder – fixed external cylinder.
- Fully galvanized.
- Can be installed on metal doors or gates.
- Nylon handle and cylinder ring nut.

	ITEM No.	Backset mm	Lock dimensions mm	Internal cylinder (fixed) Item No.	External cylinder (fixed) Item No.	Unit weight g
		E				
Right	1.7992.0794.1	50 ÷ 80	127,5 x 103,5	791	794	2100
Left	1.7992.0794.2	50 ÷ 80	127,5 x 103,5	791	794	2100



58030170205015 – 11/2008

GENERAL STRUCTURAL FEATURES

- **Power supply:** 12V C.A. (on request: 12V C.C. , 24V C.A. o C.C.)
Opening: - key operated from the outside;
- key operated or by an electric impulse from the inside;
(with push button items 8972 e 8977).
- **Galvanized box, back cover and striker** (items 8972 e 8977 painted over galvanized base grey Ral 7040).
- Nylon handle and cylinder ring nut; for items 8972 e 8977 brass push button.
- **Cylinders: internal and external fixed cylinders**, brass; supplied with 3 keys (item 015) brass nickel plated.
- **Brass latch** (nickel plated for items 8977 e 8997).
- **Steel ejector, nickel plated finish.**
- **Supplied with:**
- for items 8992, 8997 e 1.7992 : galvanized roof-plate and striker plate; fixing screws (with metric step); screw for backset adjustment and installation instructions;
- for items 8972 e 8977: fixing screws (self threading); screw for backset adjustment and installation instructions.
- **On request:** galvanized roof-plate art. 2.0.7991.461.00.000 and striker plate art. 2.0.7912.219.00.000

“BLOCK OUT” WITH DEADBOLT AND ADJUSTABLE BACKSET 50-60-70-80 MM

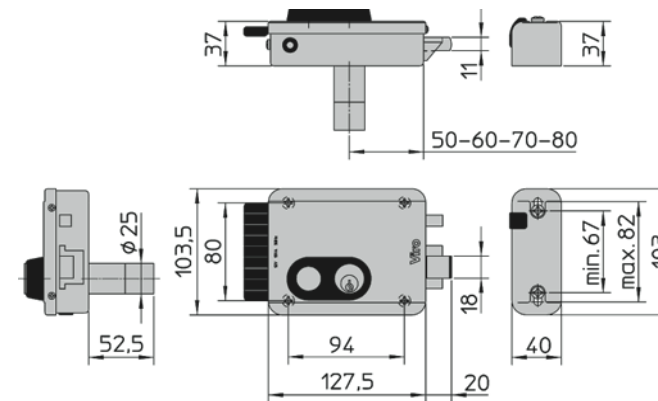
- **Interchangeable with Viro V97 electric locks (items 8972 e 8992) and most other already installed electric locks,** thanks to the same universal fixing holes **and maintaining installed the same striker.**
- **It is also possible to maintain the striker in case of replacement of the main already installed electric locks latch only.**
- Very easy installation:
 - ✓ **adjustable backset 50-60-70-80 mm** (the electric locks with deadbolt supplied from the competitors do not include this technical feature);
 - ✓ **vertically adjustable striker**, with self-lubricating nylon support opposite the ejector.
- Self-locking latch in the locked position.
- If the deadbolt is inserted the lock can only be opened with the key.
- The ejector is separated from the latch to ensure the correct working of the lock, even if there is vertical adjustment between the lock and the striker up to +/- 6 mm. If installed on lightweight doors or gates, the locking stress can be reduced by removing an elastic ring from the inside of the lock.



ART.8997 -DOUBLE CYLINDER

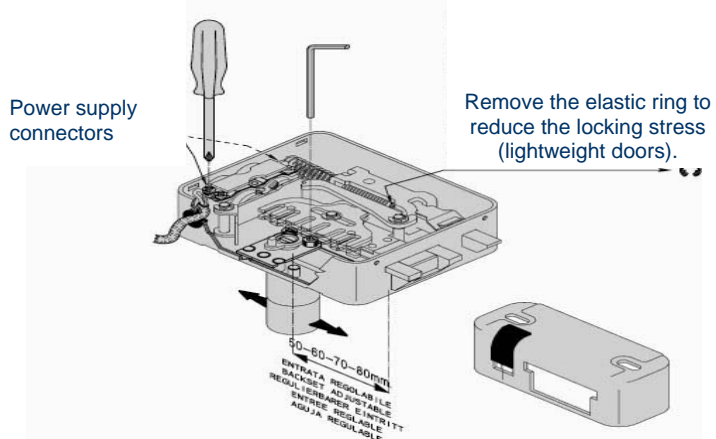


ART.8977 - DOUBLE CYLINDER WITH INTERNAL PUSH BUTTON



Power supply connectors

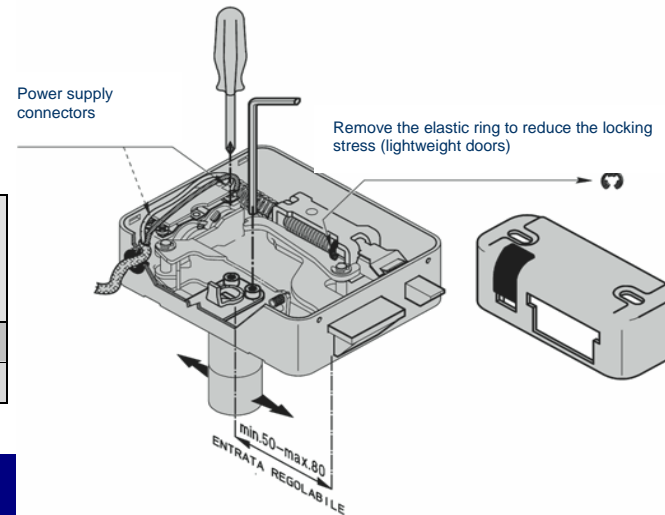
Remove the elastic ring to reduce the locking stress (lightweight doors).



	ITEM. N.	Backset mm.	Lock dimensions mm.	Intrnal cylinder (fixed) Item. N.	External cylinder (fixed) Item. N.	External cylinder (loose) Item. N.	Unit weight gr.
		E					
Painted versions with galvanised base							
Right	8967.712.1	50-60-70-80	127,5 x 103,5	791	-	712	1590
Left	8967.712.2	50-60-70-80	127,5 x 103,5	791	-	712	1590
Fully galvanised versions with galovanised roof-plate (art.2.0.8992.600.00.000.B)							
Right	8997.794.1	50-60-70-80	127,5 x 103,5	791	794	-	2280
Left	8997.794.2	50-60-70-80	127,5 x 103,5	791	794	-	2280

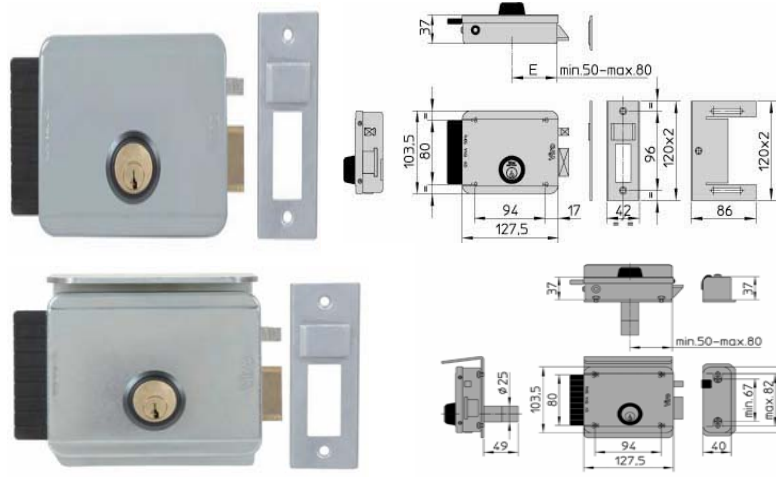
“V97” ADJUSTABLE BACKSET FROM 50 TO 80 MM

- Interchangeable with the most already installed electric locks, thanks to the same universal fixing holes and maintaining installed the same striker.
- Self locking latch in the locked position.
- The ejector is separated from the latch to ensure the correct working of the lock, even if there is vertical adjustment between lock and the striker up to +/- 6 mm.
- Very easy installation:
 - ✓ perfectly adjustable backset from 50 to 80 mm (the electric locks supplied from the competitors do not include this technical feature);
 - ✓ vertically adjustable striker, with self-lubricating nylon support opposite the ejector;
 - ✓ for the versions with external opening stiker inox steel.
- If installed on lightweight doors or gates, the locking stress can be reduced by removing an elastic ring from the inside of the lock.



	ITEM No.	Backset mm	Lock dimensions mm	Internal cylinder (fixed) Item No.	External cylinder (fixed) Item No.	Unit weight g
Right	8992.1	50 ÷ 80	127,5 x 103,5	791	794	2165
Left	8992.2	50 ÷ 80	127,5 x 103,5	791	794	2165

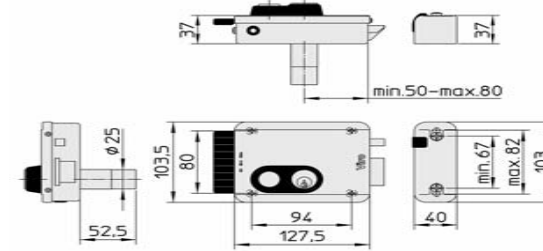
“V97” EXTERNAL OPENING ONLY CYLINDER



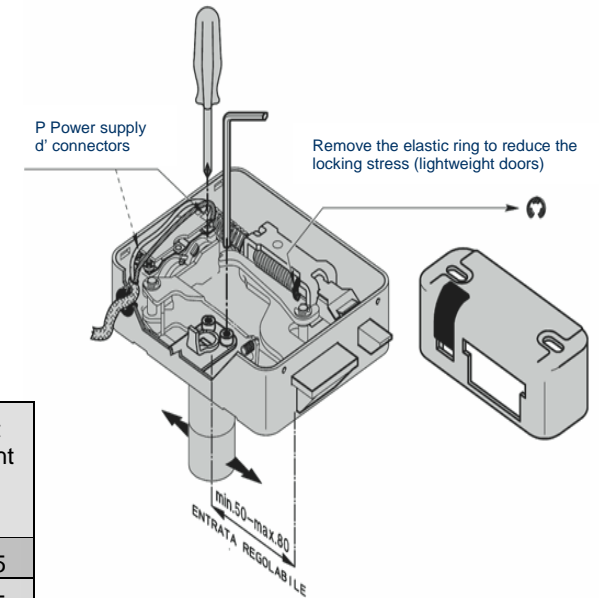
	ITEM. No.	Backset mm.	Lock dimensions mm.	Internal cylinder (fixed) Item. N.	External cylinder (fixed) Item. N.	External cylinder (loose) Item. N.	Unit weight gr.
Painted versions with galvanised base							
Right	8963.712.1	50-60-70-80	127,5 x 103,5	791	-	712	1400
Left	8963.712.2	50-60-70-80	127,5 x 103,5	791	-	712	1400
Fully galvanised versions with galvanized roof-plate (art.2.0.8992.600.00.000.B) in galvanised steel							
Right	8993.794.1	50-60-70-80	127,5 x 103,5	791	794	-	2000
Left	8993.794.2	50-60-70-80	127,5 x 103,5	791	794	-	2000

“V97” WITH PUSH BUTTON AND ADJUSTABLE BACKSET FROM 50 TO 80 MM

- Interchangeable with the most already installed electric locks, thanks to the same universal fixing holes and maintaining installed the same striker.
- Self locking latch in the locked position.
- The ejector is separated from the latch to ensure the correct working of the lock, even if there is vertical adjustment between lock and the striker up to +/- 6 mm.
- By rotating the key from the inside, it is possible to:
 - ✓ block or activate the button function;
 - ✓ block or activate the “dogging device” function (possibility to keep the lock always open, if required).
- Very easy installation:
 - ✓ perfectly adjustable backset from 50 to 80 mm (the electric locks supplied from the competitors do not include this technical feature);
 - ✓ vertically adjustable striker, with self-lubricating nylon support opposite the ejector;
 - ✓ for the versions with external opening stiker inox steel.
- If installed on lightweight doors or gates, the locking stress can be reduced by removing an elastic ring from the inside of the lock.



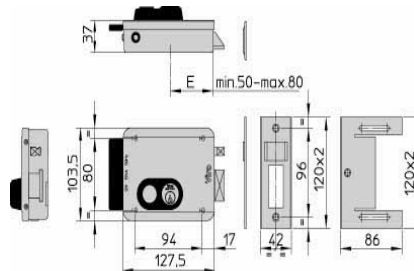
	ITEM No	Backset mm	Lock dimensions mm	Internal cylinder (fixed) Item No.	External cylinder (fixed) Item No.	Unit weight g
Right	8972.1	50 ÷ 80	127,5 x 103,5	791	794	1535
Left	8972.2	50 ÷ 80	127,5 x 103,5	791	794	1535



“V97” EXTERNAL OPENING WITH BOTTON



	ITEM No	Backset mm.	Lock dimensions mm.	Internal cylinder (fixed) Item No.	External cylinder (loose) Item No.	Unit weight gr.
Right	8973.712.1	50-60-70-80	127,5 x 103,5	791	712	1450
Left	8973.712.2	50-60-70-80	127,5 x 103,5	791	712	1450



“V05” – ADJUSTABLE BACKSET FROM 50 TO 80 MM

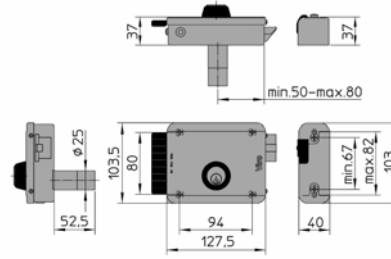
- Completely interchangeable with the V75 electric locks without replacing the striker.
- Brass latch – Steel ejector incorporated into the latch.
- Supplied with adjustable height striker, with self-lubricating nylon support in contact with the ejector.



1.7962 SERIES – DOUBLE CYLINDER

- Fixed internal cylinder – fixed or loose external cylinder.
- Metallized bronze painted.
- Can be installed on wooden or metal doors or gates.
- Nylon handle and cylinder ring nut.

	ITEM No.	Backset mm	Lock dimensions mm	Internal cylinder (fixed) Item No.	External cylinder (fixed) Item No.	External cylinder (loose) Item No.	Unit weight g
		E					
Right	1.7962.0794.1	50 ÷ 80	127,5 x 103,5	791	794	-	1420
Left	1.7962.0794.2	50 ÷ 80	127,5 x 103,5	791	794	-	1420
Right	1.7962.0712.1	50 ÷ 80	127,5 x 103,5	791	-	712	1430
Left	1.7962.0712.2	50 ÷ 80	127,5 x 103,5	791	-	712	1430

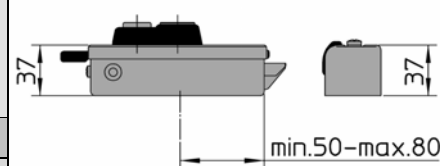


1.7972 SERIES – DOUBLE CYLINDER AND PUSH BUTTON

- Fixed internal cylinder – loose external cylinder.
- Brass push button.
- Metallized bronze painted.
- Can be installed on wooden or metal doors or gates.
- Nylon handle and cylinder/button ring nut.
- By rotating the key from the inside, it is possible to:
 - ✓ block or activate the button function;
 - ✓ block or activate the “dogging device” function (possibility to keep the lock always



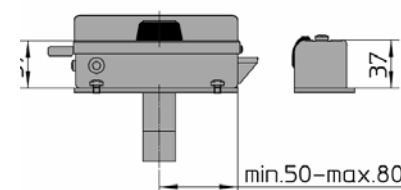
	ITEM No.	Backset mm	Lock dimensions mm	Internal cylinder (fixed) Item No.	External cylinder (loose) Item No.	Unit weight g
		E				
Right	1.7972.0712.1	50 ÷ 80	127,5 x 103,5	791	712	1420
Left	1.7972.0712.2	50 ÷ 80	127,5 x 103,5	791	712	1420



1.7992 SERIES – DOUBLE CYLINDER

- Fixed internal cylinder – fixed external cylinder.
- Fully galvanized.
- Can be installed on metal doors or gates.
- Nylon handle and cylinder ring nut.

	ITEM No.	Backset mm	Lock dimensions mm	Internal cylinder (fixed) Item No.	External cylinder (fixed) Item No.	Unit weight g
		E				
Right	1.7992.0794.1	50 ÷ 80	127,5 x 103,5	791	794	2100
Left	1.7992.0794.2	50 ÷ 80	127,5 x 103,5	791	794	2100



58030170205015 – 11/2008

GENERAL STRUCTURAL FEATURES

- **Power supply:** 12V C.A. (on request: 12V C.C. , 24V C.A. o C.C.)
Opening: - key operated from the outside;
- key operated or by an electric impulse from the inside;
(with push button items 8972 e 8977).
- **Galvanized box, back cover and striker** (items 8972 e 8977 painted over galvanized base grey Ral 7040).
- Nylon handle and cylinder ring nut; for items 8972 e 8977 brass push button.
- **Cylinders: internal and external fixed cylinders**, brass; supplied with 3 keys (item 015) brass nickel plated.
- **Brass latch** (nickel plated for items 8977 e 8997).
- **Steel ejector, nickel plated finish.**
- **Supplied with:**
- for items 8992, 8997 e 1.7992 : galvanized roof-plate and striker plate; fixing screws (with metric step); screw for backset adjustment and installation instructions;
- for items 8972 e 8977: fixing screws (self threading); screw for backset adjustment and installation instructions.
- **On request:** galvanized roof-plate art. 2.0.7991.461.00.000 and striker plate art. 2.0.7912.219.00.000

“BLOCK OUT” WITH DEADBOLT AND ADJUSTABLE BACKSET 50-60-70-80 MM

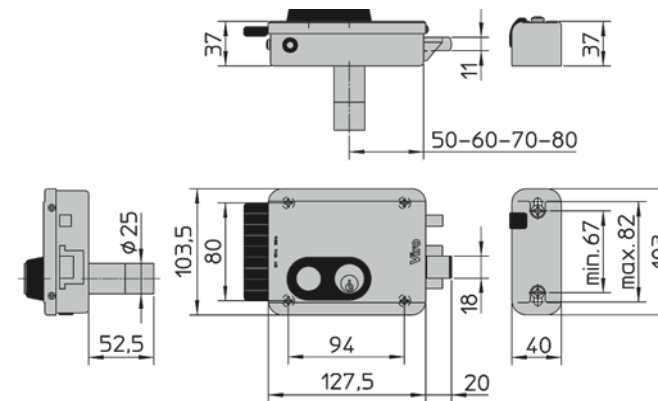
- **Interchangeable with Viro V97 electric locks (items 8972 e 8992) and most other already installed electric locks,** thanks to the same universal fixing holes **and maintaining installed the same striker.**
- **It is also possible to maintain the striker in case of replacement of the main already installed electric locks latch only.**
- Very easy installation:
 - ✓ **adjustable backset 50-60-70-80 mm** (the electric locks with deadbolt supplied from the competitors do not include this technical feature);
 - ✓ **vertically adjustable striker**, with self-lubricating nylon support opposite the ejector.
- Self-locking latch in the locked position.
- If the deadbolt is inserted the lock can only be opened with the key.
- The ejector is separated from the latch to ensure the correct working of the lock, even if there is vertical adjustment between the lock and the striker up to +/- 6 mm. If installed on lightweight doors or gates, the locking stress can be reduced by removing an elastic ring from the inside of the lock.



ART.8997 –DOUBLE CYLINDER

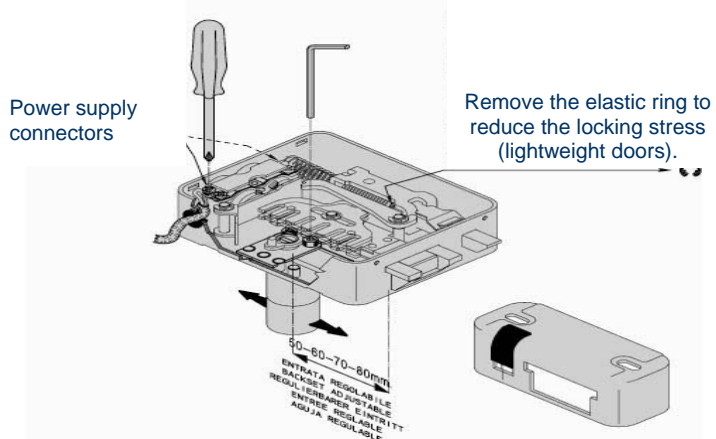


ART.8977 - DOUBLE CYLINDER WITH INTERNAL PUSH BUTTON



Power supply connectors

Remove the elastic ring to reduce the locking stress (lightweight doors).



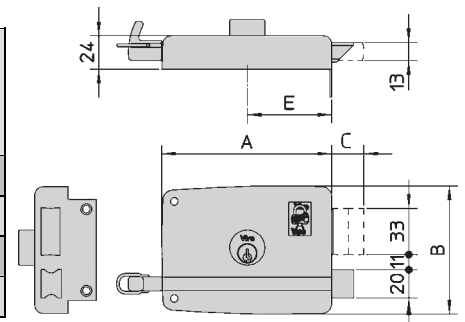
	ITEM. N.	Backset mm.	Lock dimensions mm.	Intrnal cylinder (fixed) Item. N.	External cylinder (fixed) Item. N.	External cylinder (loose) Item. N.	Unit weight gr.
		E					
Painted versions with galvanised base							
Right	8967.712.1	50-60-70-80	127,5 x 103,5	791	-	712	1590
Left	8967.712.2	50-60-70-80	127,5 x 103,5	791	-	712	1590
Fully galvanised versions with galovanised roof-plate (art.2.0.8992.600.00.000.B)							
Right	8997.794.1	50-60-70-80	127,5 x 103,5	791	794	-	2280
Left	8997.794.2	50-60-70-80	127,5 x 103,5	791	794	-	2280

RANGE 7500 – LATCH AND DEADBOLT – DOUBLE CYLINDER

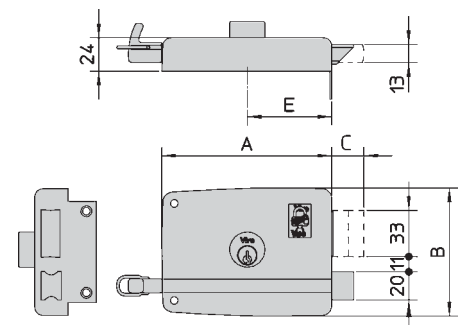
- Suitable for wooden or metal doors. Viro Hologram against possible imitations.
- Left or right handed rim door locks, with reversible latch.
- Case: one-piece, painted steel. Rear cover: galvanized and passivated steel.
- Supplied with standard striker in painted steel.
- Latch and deadbolt: solid brass.
- Reversible latch with dogging device.
- Supplied with Viro 5 pin double cylinder, loose Item 712 or fixed Item 713 and Item 714.
- Supplied with 3 nickel plated brass keys Item 015 Viro profile. Key opening both from outside or inside.
- All special executions are possible for the cylinder.



DOUBLE THROW VERSION ITEM No.	Backset mm. E	Case Dimensions mm. A x B	Throw projection mm. C	Keys Item No.	Unit Weight g
1.7501	40	80 x 92	24	015	830
1.7502	50	100 x 92	24	015	835
1.7503	60	120 x 92	24	015	950
1.7504	70	140 x 92	24	015	1005



TRIPLE THROW VERSION ITEM No.	Backset mm. E	Case Dimensions mm. A x B	Throw projection mm. C	Keys Item No.	Unit Weight g
1.7512	50	100 x 92	35	015	740
1.7513	60	120 x 92	35	015	820
1.7514	70	140 x 92	35	015	890

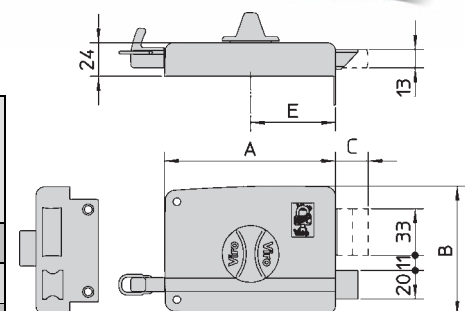


RANGE 7600 – LATCH AND DEADBOLT – INSIDE KNOB OUTSIDE CYLINDER

- Suitable for wooden or metal doors. Viro Hologram against possible imitations.
- Left or right handed rim door locks, with reversible latch.
- Case: one-piece, painted steel. Rear cover: galvanized and passivated steel.
- Supplied with standard striker in painted steel.
- Latch and deadbolt: solid brass.
- Reversible latch with dogging device.
- Supplied with Viro 5 pin cylinder, loose Item 712 or fixed Item 713 and Item 714.
- Ergonomic brass-plated internal knob.
- Supplied with 3 nickel plated brass keys Item 015 Viro profile.
- All special executions are possible for the cylinder.



DOUBLE THROW VERSION ITEM No.	Backset mm. A	Case Dimensions mm. A x B	Throw projection mm. C	Keys Item No.	Unit Weight g
1.7601	40	80 x 92	24	015	660
1.7602	50	100 x 92	24	015	715
1.7603	60	120 x 92	24	015	770
1.7604	70	140 x 92	24	015	830

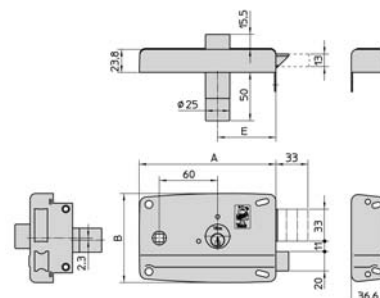


RANGE 7500 – LATCH AND DEADBOLT – WITH HANDLE HOLE

- **Perfectly interchangeable** with the most common lock models with handle holes on the market.
- **Can be fitted in wooden or metal doors** .
- Viro **Hologram** on the case to distinguish it from possible imitations.
- **Galvanized and passivated steel cover**.
- **Case and painted steel stiker or galvanized steel**.
- **Reversible latch**: solid brass, key or handle-operated from the outside, handle-operated only from the inside.
- **Deadbolt**: brass, with triple throw, key operated from the inside and the outside.
- **Viro 5 pin, fixed, solid brass cylinder**: external Item 717 and Internal Item 714.
- **Supplied with 3 nickel plated brass keys** Item 015 Viro profile.
- **Supplied with**: brass oval escutcheon, painted steel stiker or galvanized steel, washer and fixing screws.



	ITEM No.	Backset mm. E	Case Dimensions mm. A x B	Throw Projection mm. C	Keys Item No.	Unit Weight g
Right	1.7523.0714.1.000	60	141 x 92	35	015	980
Left	1.7523.0714.2.000	60	141 x 92	35	015	980

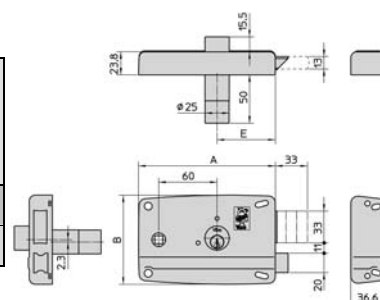


- **Galvanized steel cover, 1,5 mm thick**.
- **Case and striker: 1,2 mm thick galvanized steel**.



5803030205015 - 11/2008

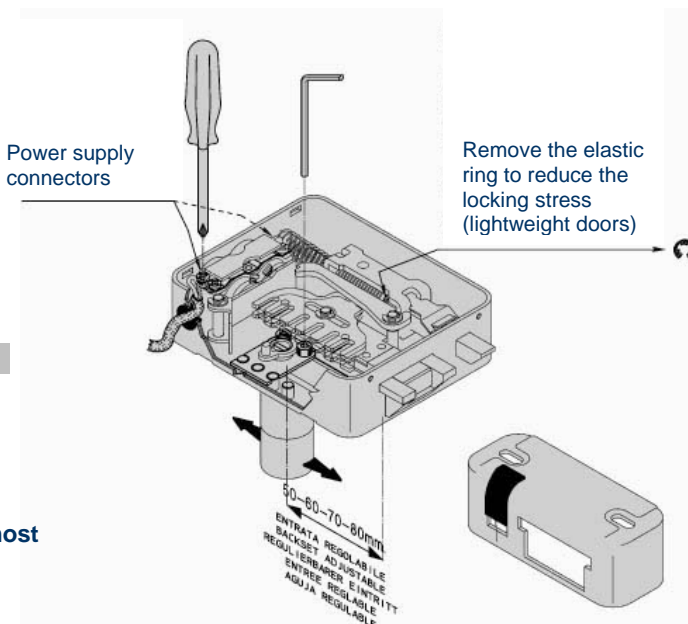
	ITEM No.	Backset mm. E	Case Dimensions mm. A x B	Throw Projection mm. C	Keys Item No.	Unit Weight g
Right	1.7523.0714.1.217	60	141 x 92	35	015	980
Left	1.7523.0714.2.217	60	141 x 92	35	015	980



“BLOCK OUT” WITH PUSH BUTTON WITH DEADBOLT AND ADJUSTABLE BACKSET 50-60-70-80 MM

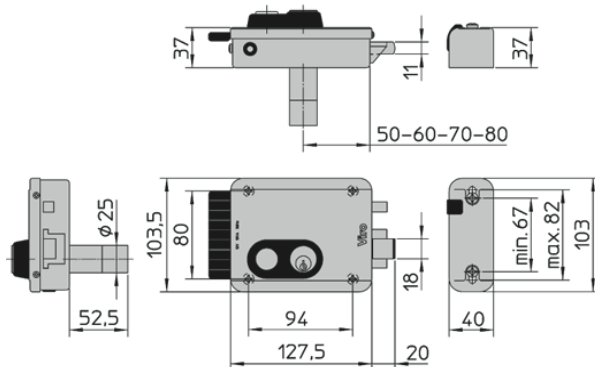
GENERAL STRUCTURAL FEATURES

- **Power supply:** 12V C.A. (on request: 12V C.C. , 24V C.A. o C.C.).
- **Opening:** - key operated from the outside;
- key operated from the inside; with electric impulse with button.
- **Galvanized box, back cover and striker** painted in grey Ral 7040, galvanized internal parts.
- Nylon handle and cylinder ring nut; brass button.
- **Cylinders: internal and external fixed cylinders**, in brass; supplied with 3 nickel plated brass keys (item 015).
- **Nickel-plated brass latch.**
- **Nickel plated steel ejector.**
- **Supplied with:**
 - ✓ Self-threading fixing screws;
 - ✓ Key for backset adjustment;
 - ✓ installation instructions.
- **On request:**
 - ✓ Galvanized roof-plate Item 2.0.7991.461.00.000;
 - ✓ Striker Plate Item 2.0.7912.219.00.000.



FUNCTIONAL FEATURES

- **Interchangeable with Viro V97 electric locks (items 8972 e 8992) and most of other already installed electric locks**, thanks to the same universal fixing holes **and maintaining installed the same striker.**
- **It is also possible to maintain the striker in case of replacement of most already installed latch-only electric locks.**
- Very easy installation:
 - ✓ **adjustable backset 50-60-70-80 mm** (the electric locks with deadbolt supplied from the competitors do not include this technical feature);
 - ✓ **vertically adjustable striker**, with self-lubricating nylon support opposite the ejector.
- Self-locking latch in the locked position.
- If the deadbolt is inserted the lock can only be opened with the key.
- The ejector is separated from the latch to ensure the correct working of the lock, even if there is vertical adjustment between the lock and the striker up to +/- 6 mm. If installed on lightweight doors or gates, the locking stress can be reduced by removing an elastic ring from the inside of the lock.



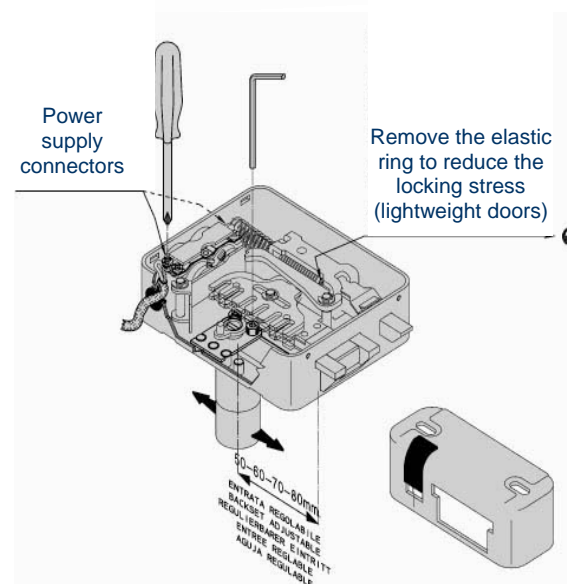
	ITEM N.	Adjustable backset mm. E	Lock dimensions mm.	Internal cylinder (fixed) Item. N.	External cylinder (fixed) Item. N.	External cylinder (staccato) Item. N.	Unit weight g.
Right	8977.794.1	50 - 60 - 70 - 80	127,5 x 103,5	791	794	-	1635
Left	8977.794.2	50 - 60 - 70 - 80	127,5 x 103,5	791	794	-	1635
Right	8977.712.1	50 - 60 - 70 - 80	127,5 x 103,5	791	-	712	1625
Left	8977.712.2	50 - 60 - 70 - 80	127,5 x 103,5	791	-	712	1625

20899749000410 - 11/2008

“BLOCK OUT” WITH DEADBOLT AND ADJUSTABLE BACKSET 50-60-70-80 MM

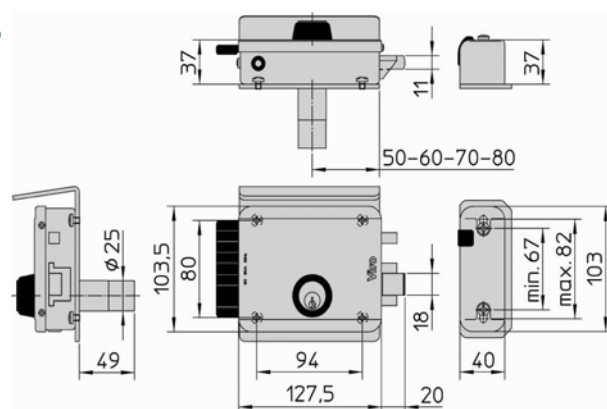
GENERAL STRUCTURAL FEATURES

- **Power supply:** 12V C.A. (on request: 12V C.C. , 24V C.A. o C.C.).
- **Opening:** - key operated from the outside;
- key operated from the inside; with electric impulse.
- **Galvanized box, back cover and striker**, galvanized internal parts
- Nylon handle and cylinder ring nut.
- **Cylinders: internal and external fixed cylinders**, in brass; supplied with 3 nickel plated brass keys (item 015).
- **Nickel-plated brass latch.**
- **Nickel plated steel ejector.**
- **Supplied with:**
 - ✓ galvanized roof-plate and striker plate;
 - ✓ fixing screws (with metric step);
 - ✓ screw for backset adjustment;
 - ✓ installation instructions.



FUNCTIONAL FEATURES

- **Interchangeable with Viro V97 electric locks (items 8972 e 8992) and most of other already installed electric locks**, thanks to the same universal fixing holes **and maintaining installed the same striker.**
- **It is also possible to maintain the striker in case of replacement of most already installed latch-only electric locks.**
- Very easy installation:
 - ✓ **adjustable backset 50-60-70-80 mm** (the electric locks with deadbolt supplied from the competitors do not include this technical feature);
 - ✓ **vertically adjustable striker**, with self-lubricating nylon support opposite the ejector.
- Self-locking latch in the locked position.
- If the deadbolt is inserted the lock can only be opened with the key.
- The ejector is separated from the latch to ensure the correct working of the lock, even if there is vertical adjustment between the lock and the striker up to +/- 6 mm. If installed on lightweight doors or gates, the locking stress can be reduced by removing an elastic ring from the inside of the lock.



	ITEM N.	Adjustable backset mm. E	Lock dimensions mm.	Internal cylinder (fixed) Item. N.	External cylinder (fixed) Item. N.	External cylinder (staccato) Item. N.	Unit weight g.
PAINTED VERSION WITH GALVANISED BASE							
Right	8977.712.1	50 - 60 - 70 - 80	127,5 x 103,5	791	-	712	1635
Left	8977.712.2	50 - 60 - 70 - 80	127,5 x 103,5	791	-	712	1635
FULLY GALVANISED VERSIONS with galvanised steel roof-plate (art.2.0.8992.600.00.000.B)							
Right	8977.712.1	50 - 60 - 70 - 80	127,5 x 103,5	791	794	-	1635
Left	8977.712.2	50 - 60 - 70 - 80	127,5 x 103,5	791	794	-	1635